

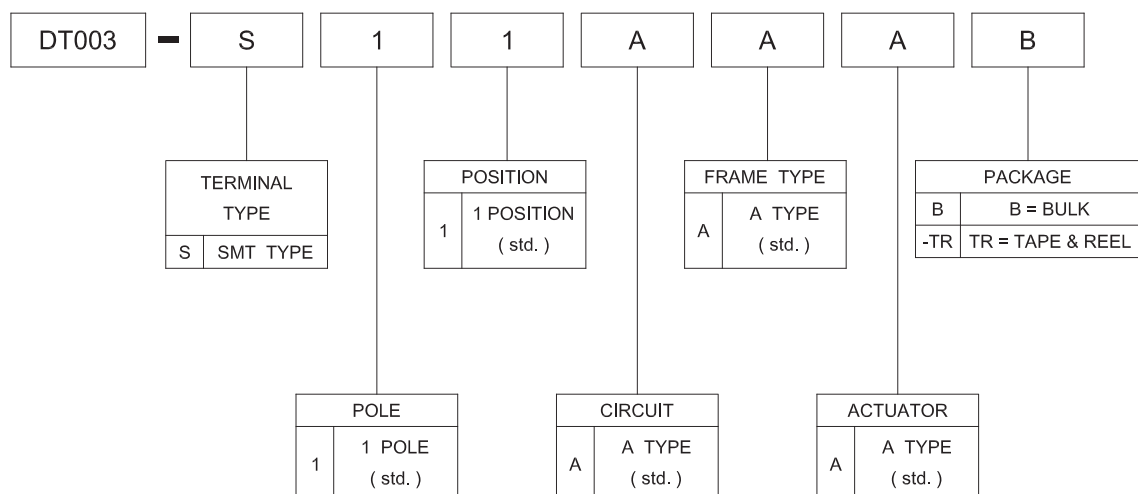
Feature -  
 small size  
 SMT reflow soldering

Application -  
 detection of position  
 mode of mechanism

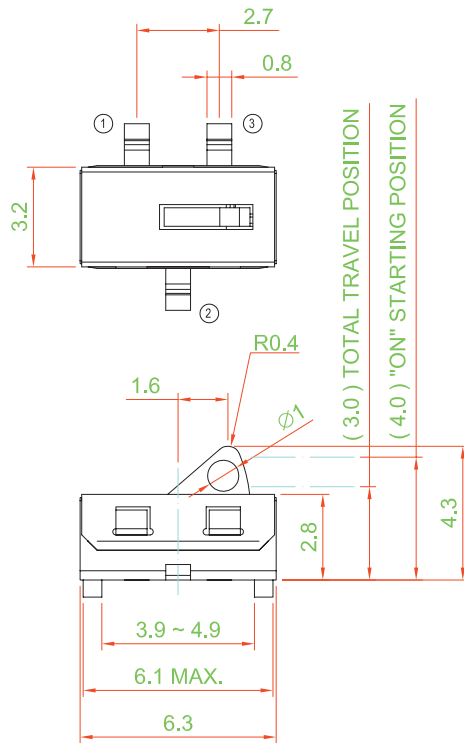
### ► SPECIFICATIONS

SWITCH SPECIFICATIONS	
POLE - POSITION	Momentary action , 1P1T
CONTACT RATING	5 V DC , 1 mA
CONTACT RESISTANCE	500 mΩ MAX. 5 V DC ; 1 A , by Method of Voltage DROP
INSULATION RESISTANCE	100 MΩ MIN. 500 V DC for 1 minute
DIELECTRIC STRENGTH	Breakdown is not Allowable ; 500 V AC for 1 Minute
OPERATING FORCE	50 gf MAX.
OPERATING LIFE	50,000 cycles
OPERATING TEMPERATURE RANGE	-20°C ~ 70°C

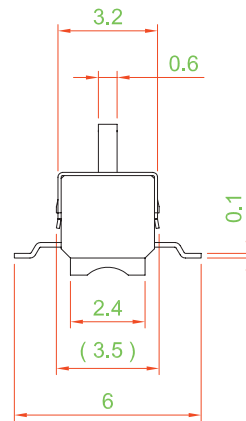
### ► HOW TO ORDER



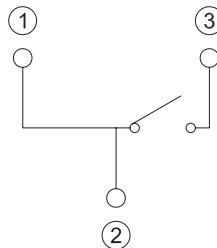
► DIMENSION



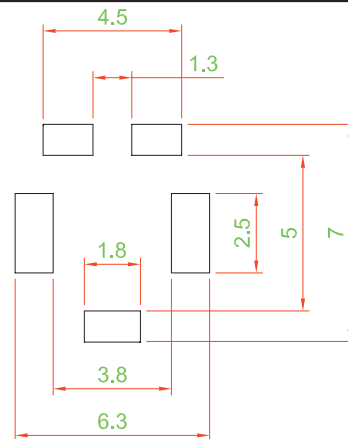
► DT003 - S11AAA□



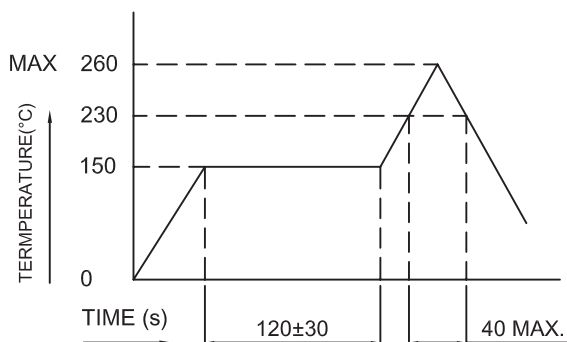
► CIRCUIT DIAGRAM



► P.C.B. LAYOUT



► REFLOW SOLDERING



► MATERIAL

- COVER : STAINLESS STEEL
- ACTUATOR : PA + GF
- BASE FRAME : PA + GF
- TERMINAL : SILVER PLATING

► PACKAGING

- TAPE & REEL : 1000 pcs / reel

► UNIT WEIGHT

- DT003 : 0.09 ± 0.01 g / pc